

## Board Level CNC Control for 3rd Party Servo Drives

Motion Controller, Drive Interface, and PLC (MPU11 & GPIO4D)

Starting at **\$2345** with CENTROID Mill or Lathe software

### CNC PC choices:

Your Windows 7 PC



OR:  
Our CNC PC \$1125 cabinet mount (#11084) & your display



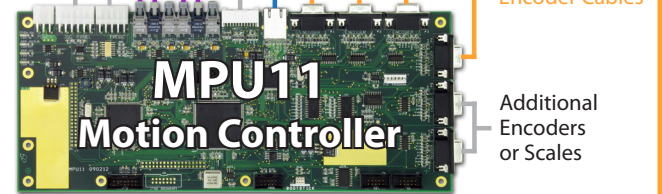
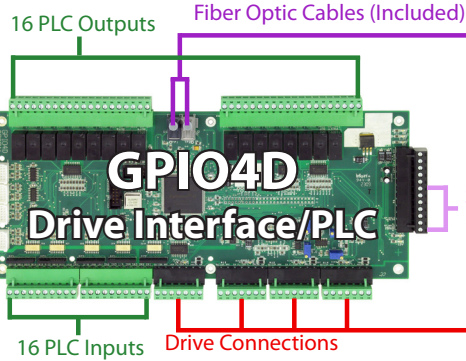
OR:  
Our CNC console \$2995 (#11082)  
Panel Mount console \$2455 (#11170)  
\*Touch screen option \$495 (#12568)



OR:  
Our All-in-One PC \$1125 (11084tb)

Ethernet Cable to PC

Standard Kit Includes:  
**MPU11 & GPIO4D**  
**\$2345**  
with CENTROID Software (#11022)



Optional Operator's Control Panel \$775 (#11077)

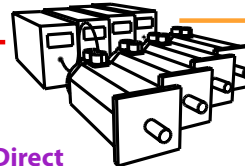
Optional Manual Pulse Generator (MPG) \$495 (#11069)



Optional Touch Probe & Software  
DP-4 \$1590 (#10405)  
DP-7 \$4200 (#12431)



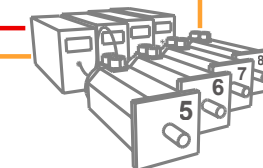
Optional Auto Tool Set  
- TT-2 \$1295 (#12486)  
- TT-1 \$649 (#10220)



Optic 4 Or Optic Direct

Yaskawa, Delta, Glentek, Sanyo Denki, Panasonic, Maxsine, and more... up to 4 axes standard

Optic Direct \$275 (#12554)  
Fiber direct connection for Yaskawa Sigma 5 & Delta ASDA-A2



\*Add an optional Optic4, for up to 8 total axes \$895 (#11013)

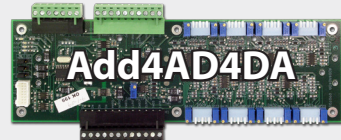


### Optional IO Expansion Boards

Add up to 4 in any combination for up to 272 In / 272Out



16 Inputs (5, 12, 24 VDC)  
16 Relay Outputs  
\$395 (#11025)



4 Digital to Analog Outputs  
4 Analog to Digital Inputs  
\$685 (#11141)



64 Inputs 5V non isolated  
64 Outputs Open Collector  
\$1290 (#11212)